

ROUGH COUNTRY

SUSPENSION SYSTEMS®

Thank you for choosing Rough Country for your truck accessory needs.

▲ NOTICE Rough Country Lights are intended for off road use only.

Rough Country recommends a certified technician install this system. In addition to these instructions, professional knowledge of disassembly/reassembly procedures as well as post installation checks must be known. Attempts to install this system without this knowledge and expertise may jeopardize the integrity and/or operating safety of the vehicle.

▲ NOTICE Please read instructions before beginning installation. Check the kit hardware against the parts list on this page and the product layout on the last page. Be sure you have all needed parts and know where they go. Also please review tools needed list and make sure you have needed tools. **INSTALLATION MAY INTERFERE WITH FRONT MOUNTED SENSORS. NOT RECOMMENDED FOR VEHICLES WITH OPTIONAL "ACTIVE" LASER GUIDED CRUISE CONTROL SYSTEMS.**

Installation Instructions

1. Place light in between light mount on inside of bull bar. **See Photo 1.**
2. Using supplied hardware and Allen wrench, center light and tighten. **See Photo 2.**



Photo 1



Photo 2

3. Locate an appropriate location in the vehicle for the switch mounting.
4. Route the wiring harness to the mounting location. *Do not secure at this time.* The wiring will be zip-tied after the lights are installed and adjusted to ensure the wiring can reach the lights. **Beware of sharp edges, abrasive surfaces and heat sources. Re-route wiring as needed. Make sure when mounting the relay, attach in a dry area where the wires coming out of the relay are facing down.**
5. After the light is mounted, the wiring harness simply plugs into the light pigtail. Take care not to damage the wires.
6. Attach the red terminal to the Positive(+) side of the battery, or any 12V DC source.
7. Secure the black terminal to a suitable ground, or the Negative (-) side of the battery. Some lights have multiple positive and negative wires.
8. Secure any part of the wiring harness away from hazards using zip-ties.

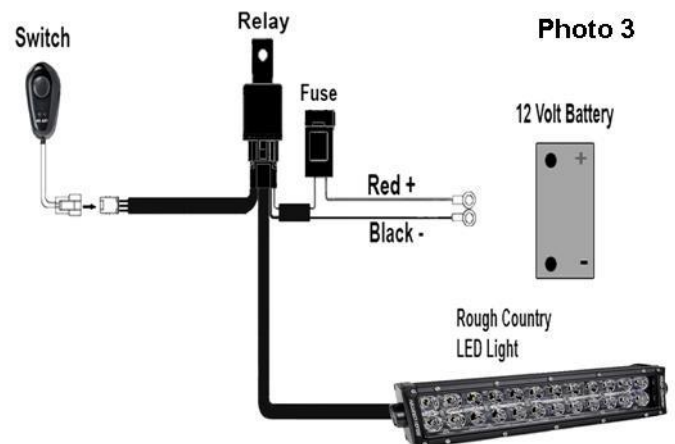


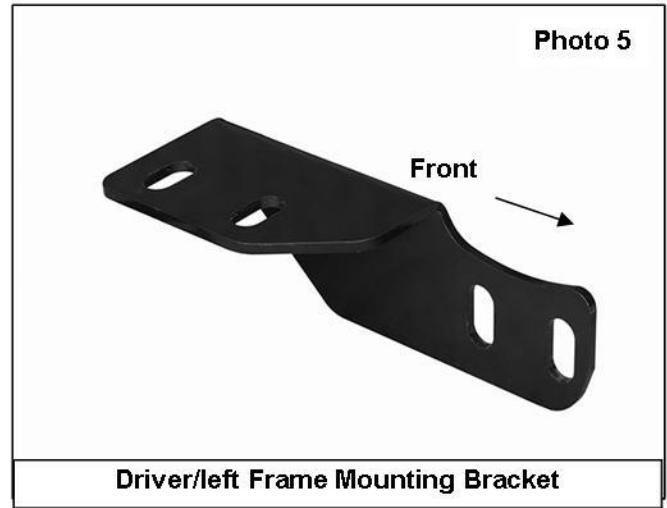
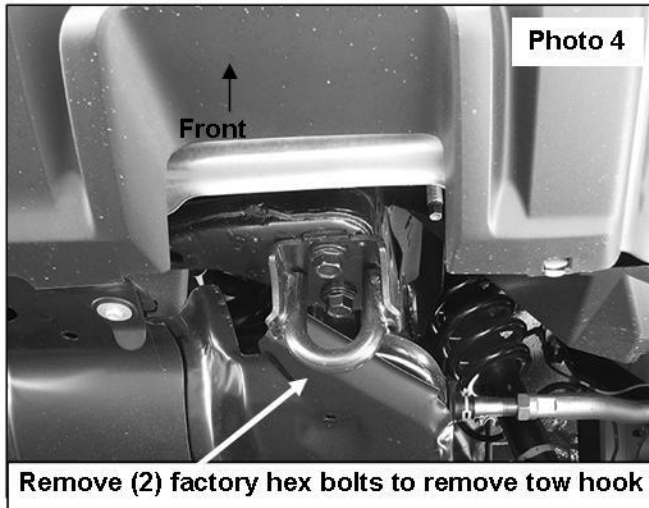
Photo 3



NOTE: It may be necessary to remove/relocate the front license plate and license plate bracket. It is not required for installation but strongly recommended. If local/state law requires a license plate, license plate relocation kit is available.

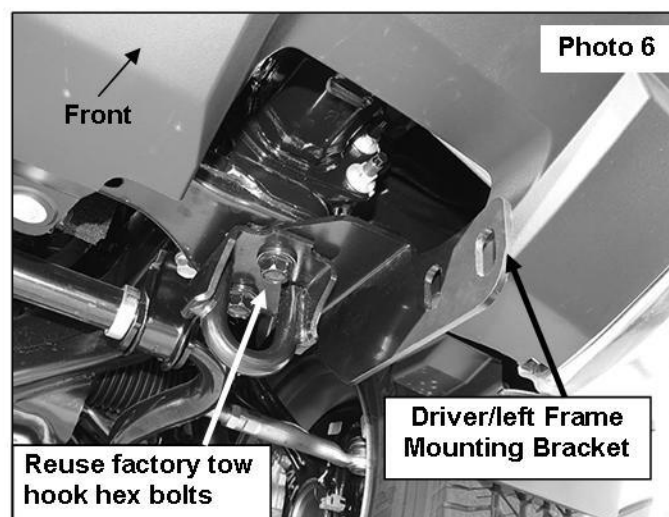
9. Start installation at the driver side, front of the vehicle. Remove the driver side tow hook. **See Photo 4.**

10. Select the driver side Frame Bracket. Check the fit between the tow hook and the Bracket for reinstallation over the Bracket. **NOTE:** Some factory tow hooks may not clear the Bracket and cannot be reinstalled. Check for fit before bolting tow hook and Bracket in place. **See Photo 5.**

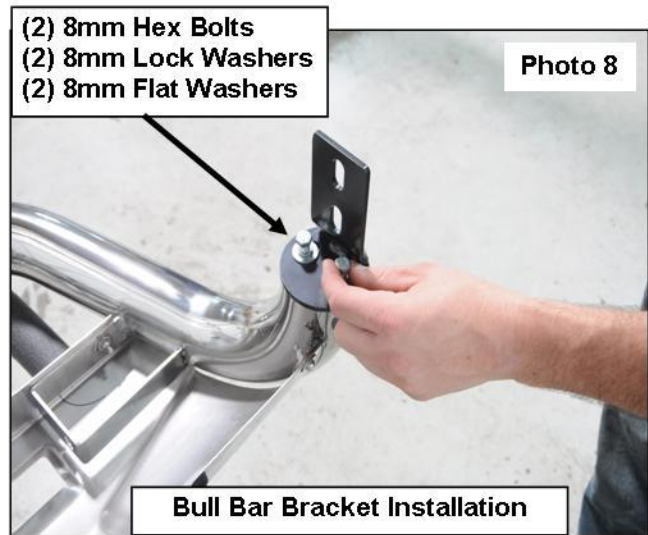
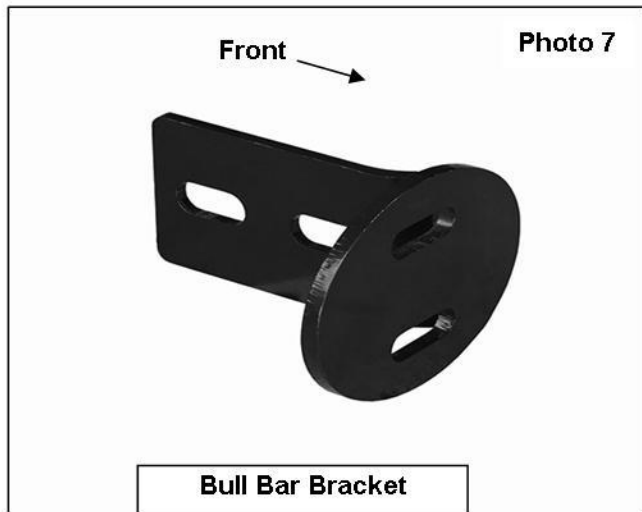


11. Bolt the Bracket to the underside of the frame channel reusing the factory tow hook bolts, either with or without the tow hook. Do not fully tighten hardware at this time. **See Photo 6.**

12. Repeat **Steps 2—4** for passenger side Frame Mounting Bracket installation.



13. Carefully unwrap the Bull Bar. Select (1) Bull Bar Mounting Bracket, Bolt the Bracket to the end of the Bull Bar with (2) 8mm Hex Bolts, (2) 8mm Lock Washers and (2) 8mm Flat Washers. Leave hardware loose at this time.
14. Repeat **previous steps** to install the passenger side Mounting Bracket. **See Photos 7 & 8.**



15. With assistance, line up the Mounting Brackets on the Bull Bar with the outside of the Frame Brackets. Bolt the Bull Bar to the Frame Brackets with the included (4) 12mm x 30mm Hex Bolts, (8) 12mm Flat Washers and (4) 12mm Nylon Lock Nuts. Do not tighten hardware at this time. **See Photo 9.**
16. Level and adjust the Bull Bar properly and tighten all hardware.

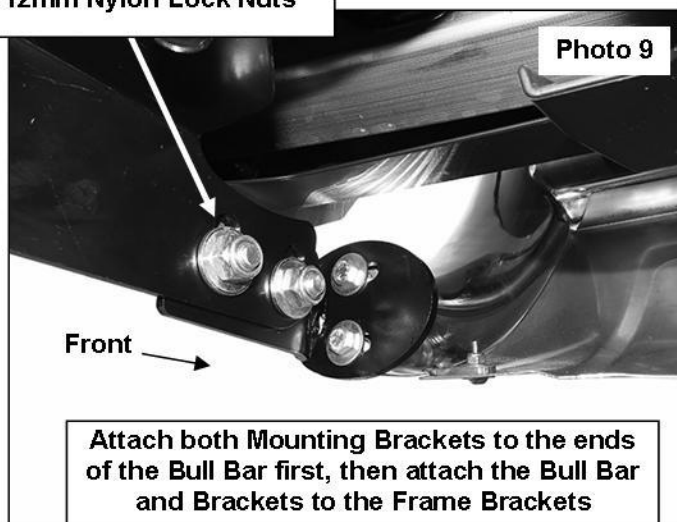
Do periodic inspections to the installation to make sure that all hardware is secure and tight.

To protect your investment, wax this product after installing. Regular waxing is recommended to add a protective layer over the finish. Do not use any type of polish or wax that may contain abrasives that could damage the finish.

For stainless steel: Aluminum polish may be used to polish small scratches and scuffs on the finish. Mild soap may be used also to clean the Bull Bar.

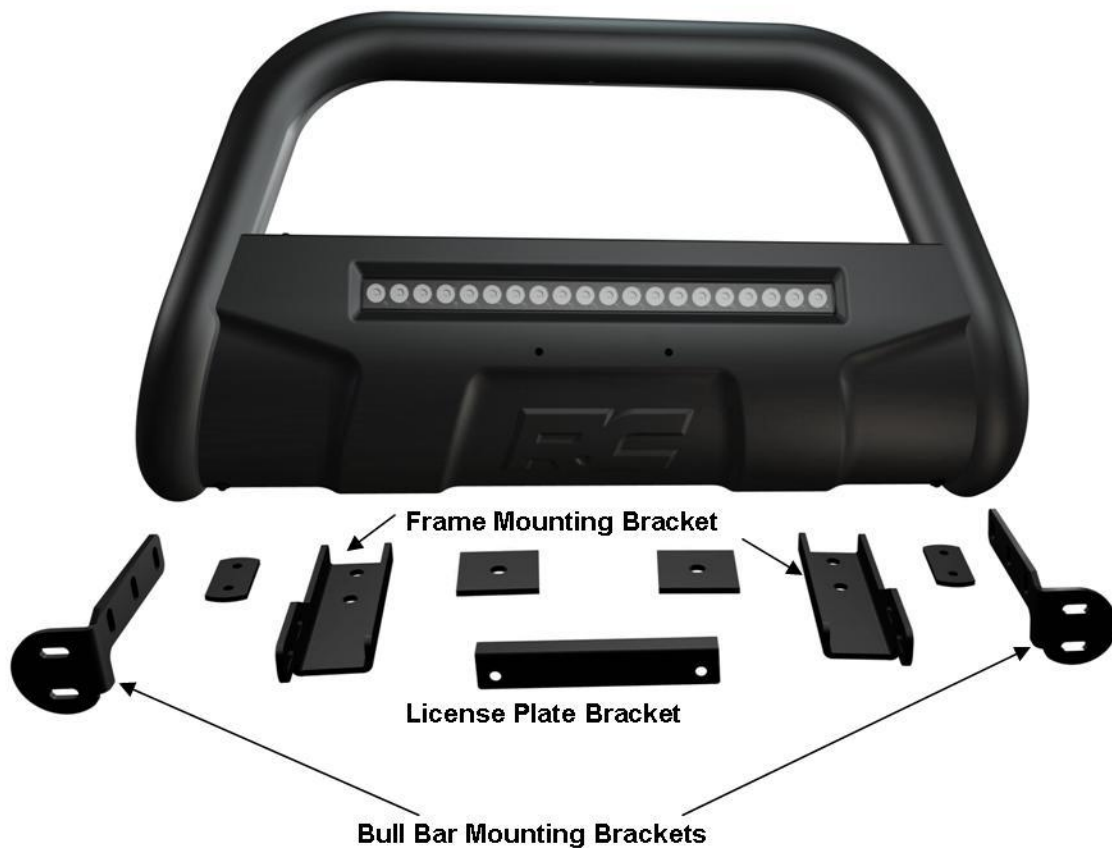
For gloss black finishes: Mild soap may be used to clean the Bull Bar.

- (2) 12mm x 30mm Hex Bolts
(4) 12mm Flat Washers
(2) 12mm Nylon Lock Nuts



PARTS LIST:

1	Bull Bar	4	12-1.75mm Nylon Lock Nuts
1	Driver Side Frame Mounting Bracket	4	8-1.25mm x 30mm Hex Bolts
1	Passenger Side Frame Mounting Bracket	4	8mm x 24mm OD x 2mm Flat Washers
2	Bull Bar Mounting Brackets (left & right)	4	8mm Lock Washers
4	12-1.75mm x 30mm Hex Bolts	1	20" Single Row LED Light Bar
8	12mm x 32mm OD x 3mm Flat Washers	2	8mm x 15mm Allen Bolts (Light Bar)
		2	8mm Flat Washers (Light Bar)



By purchasing any item sold by Rough Country, LLC, the buyer expressly warrants that he/she is in compliance with all applicable Federal, State, and Local laws and regulations regarding the purchase, ownership, and use of the item. It shall be the buyers responsibility to comply with all Federal, State and Local laws governing the sales of any items listed, illustrated or sold. The buyer expressly agrees to indemnify and hold harmless Rough Country, LLC for all claims resulting directly or indirectly from the purchase, ownership, or use of the items.

