

# ROUGH COUNTRY

## SUSPENSION SYSTEMS®

Thank you for choosing Rough Country for your truck accessory needs.

**▲ NOTICE** Rough Country Lights are intended for off road use only.

Rough Country recommends a certified technician install this system. In addition to these instructions, professional knowledge of disassembly/reassembly procedures as well as post installation checks must be known. Attempts to install this system without this knowledge and expertise may jeopardize the integrity and/or operating safety of the vehicle.

**▲ NOTICE** Please read instructions before beginning installation. Check the kit hardware against the parts list on this page and the product layout on the last page. Be sure you have all needed parts and know where they go. Also please review tools needed list and make sure you have needed tools. **INSTALLATION MAY INTERFERE WITH FRONT MOUNTED SENSORS. NOT RECOMMENDED FOR VEHICLES WITH OPTIONAL "ACTIVE" LASER GUIDED CRUISE CONTROL SYSTEMS.**

### Installation Instructions

1. Place light in between light mount on inside of bull bar. **See Photo 1.**
2. Using supplied hardware and Allen wrench, center light and tighten. **See Photo 2.**



Photo 1



Photo 2

3. Locate an appropriate location in the vehicle for the switch mounting.
4. Route the wiring harness to the mounting location. *Do not secure at this time.* The wiring will be zip-tied after the lights are installed and adjusted to ensure the wiring can reach the lights. **Beware of sharp edges, abrasive surfaces and heat sources. Re-route wiring as needed. Make sure when mounting the relay, attach in a dry area where the wires coming out of the relay are facing down.**
5. After the light is mounted, the wiring harness simply plugs into the light pigtail. Take care not to damage the wires.
6. Attach the red terminal to the Positive(+) side of the battery, or any 12V DC source.
7. Secure the black terminal to a suitable ground, or the Negative (-) side of the battery. Some lights have multiple positive and negative wires.
8. Secure any part of the wiring harness away from hazards using zip-ties.

**Note:** It may be necessary to remove/relocate the front license plate and license plate bracket. It is not required for installation but is strongly recommended. If local/state law requires a front license plate, a license plate relocation kit is available.

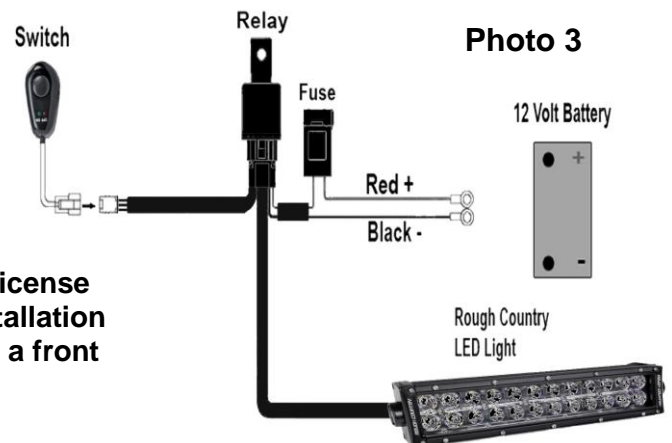
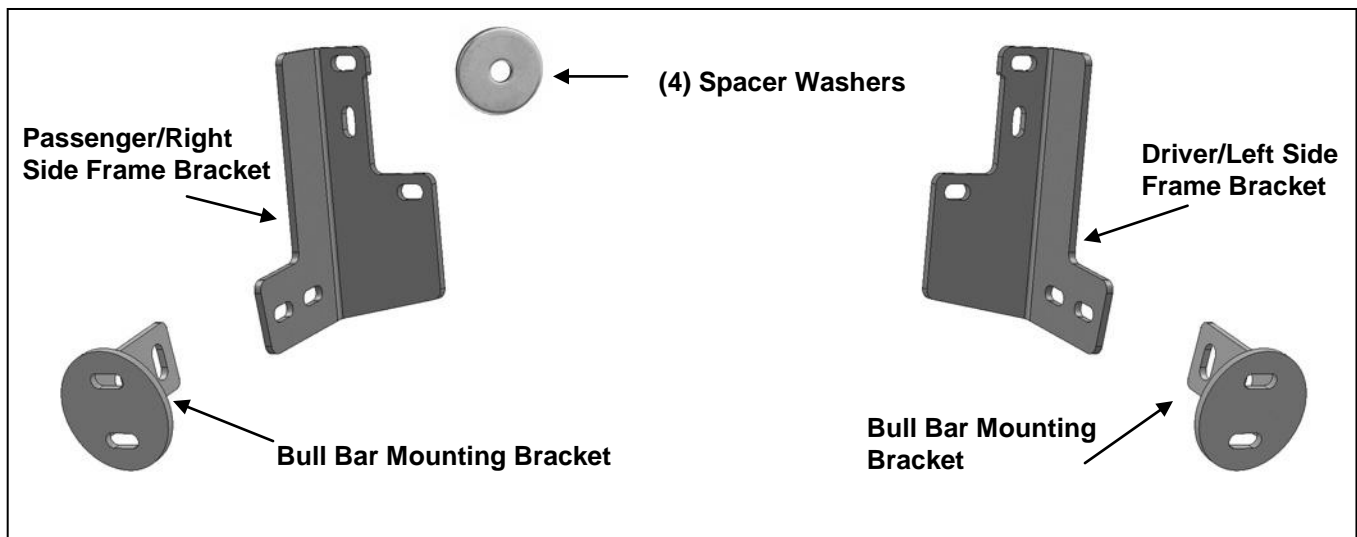


Photo 3

Rough Country

Qty	Description	Qty	Description
1	Bull Bar	4	8-1.25mm x 35mm Hex Bolts
1	Driver/Left Frame Mounting Bracket	4	8mm x 24mm OD x 2mm Flat Washers
1	Passenger/Right Frame Mounting Bracket	4	8mm Lock Washers
2	Bull Bar Mounting Brackets	1	20" Single Row LED Light Bar
4	Large Spacer Washers	2	D8 Lock Washer(Light Bar)
2	10-1.50mm x 120mm x 30mm Hex Bolts	2	8mmx24mmx2mm Large Flat Washer(Light Bar)
4	10-1.50mm x 30mm Hex Bolts	2	8mm_16mm Hex Bolt(Full Thread) (Light Bar)
4	10mm x 34mm Large Flat Washers	1	License Plate Mounting Bracket
8	10mm x 30mm STD Flat Washers	2	6mm Hex Nut(License Plate)
6	10mm Hex Nuts	2	D6 Flat Washer(License Plate)
6	10mm Lock Washer	4	Assembly For M6 Button Head Screw/ M6 Lock Washer/M6 Flat Washer(License Plate)



#### PROCEDURE:

**REMOVE CONTENTS FROM BOX. VERIFY ALL PARTS ARE PRESENT. READ INSTRUCTIONS CAREFULLY BEFORE STARTING INSTALLATION. NOT COMPATIBLE WITH OPTIONAL FULL COVERAGE FACTORY ALUMINUM SKID PLATE. OPTIONAL SKID PLATE MUST BE REMOVED AND CANNOT BE REINSTALLED. CUTTING IS REQUIRED.**

**NOTE:** It may be necessary to remove/relocate front license plate and license plate bracket. It is not required, but strongly recommended. If local/state law requires a front license plate, license plate relocation kit is available.

1. From under the front of the vehicle, remove the plastic lower air dam from the front bumper cover, **(Figure 1)**.
2. Start installation at the passenger side, front of the vehicle. Remove the (2) outer factory hex nuts attaching the bumper mount to the end of the frame, **(Figure 2)**. **NOTE:** It may be necessary to temporarily remove the factory tow hook from the passenger side.
3. Select the passenger side frame mounting bracket, **(Figure 3)**. Slide the Bracket over the (2) threaded studs. Secure the Bracket to the studs with the factory hex nuts, **(Figures 4 & 9)**. Leave hardware loose at this time.

4. Slide (1) Large Spacer Washer between the Mounting Bracket and the frame cross member, (**Figures 5 & 6**). Insert (1) 10mm x 120mm Hex Bolt with (1) 10mm x 34mm OD Large Flat Washer and (1) Large Spacer Washer into and through the hole in the back of the cross member. Make sure the Spacer Washer is against the cross member covering the large hole, (**Figures 7 & 9**). Push the long bolt through the outer Spacer Washer and Frame Bracket. Secure the Bracket to the Bolt with (1) 10mm x 34mm Large Flat Washer and (1) 10mm Hex Nut & (1) 10mm Lock Washer (**Figures 8 & 9**). Leave hardware loose at this time. **NOTE:** Trim plastic splashguards attached to the bottom corners of the bumper as necessary to clear brackets.
5. Repeat **Steps 2—4** for driver side Bracket installation.
6. Next, hold the plastic air dam up in position against the Mounting Brackets. Trace the location of the two brackets onto the back of the air dam, (**Figure 10**). Use a sharp knife or hacksaw blade to carefully cut two slots to clear the brackets. **IMPORTANT:** Do not cut through the top or bottom edge of the air dam. Do not cut off the mounting tabs from the top of the air dam. For best results, check all measurements before cutting, start with a small opening and slowly enlarge the slots until Brackets clear the air dam. Reinstall the air dam but leave hardware loose at this time.
7. Next, carefully unwrap the Bull Bar. Select (1) Bull Bar Mounting Bracket, (**Figure 11**). Attach the Bracket to the end of the Bull Bar with (2) 8mm x 35mm Hex Bolts, (2) 8mm Lock Washers and (2) 8mm Flat Washers. Center the mounting flange on the Bracket with the end of the tube on the Bull Bar. Snug but do not tighten hardware. Repeat this Step to install the driver side Bull Bar Bracket onto the Bull Bar.
8. With assistance, line up the mounting tabs on the Bull Bar with the outside of the (2) previously installed Frame Mounting Brackets. Bolt the Bull Bar to the Frame Mounting Brackets with the included (4) 10mm x 30mm Hex Bolts, (8) 10mm x 30mm STD Flat Washers and (4) 10mm Hex Nut & (4) 10mm Lock Washer, (**Figures 12 & 13**). Snug but do not tighten hardware at this time.
9. Level and adjust the Bull Bar properly and tighten all hardware including factory hardware attaching the air dam to the vehicle. Reinstall the tow hook if removed.
10. Do periodic inspections to the installation to make sure that all hardware is secure and tight.

**To protect your investment**, wax this product after installing. Regular waxing is recommended to add a protective layer over the finish. Do not use any type of polish or wax that may contain abrasives that could damage the finish.

**For stainless steel:** Aluminum polish may be used to polish small scratches and scuffs on the finish. Mild soap may be used also to clean the Bull Bar.

**For gloss black finishes:** Mild soap may be used to clean the Bull Bar.

### Passenger Side Installation Pictured

Remove (2) factory hex nuts on outside of frame

Spacer Washer will cover this opening in the end of the frame



(Fig 1) Remove air dam from bottom of bumper

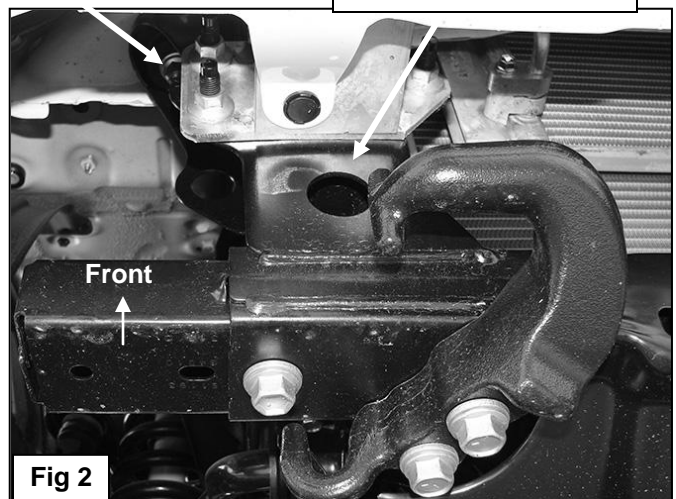


Fig 2

## Passenger Side Installation Pictured

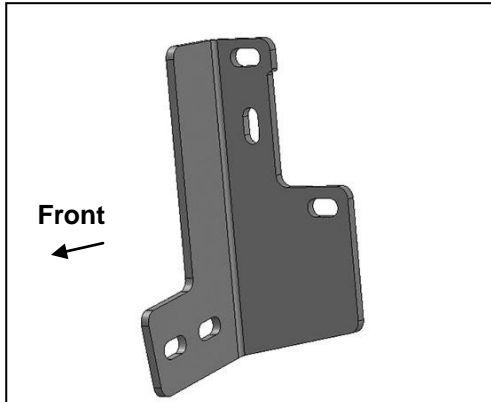


Fig 3 Passenger/right frame Bracket

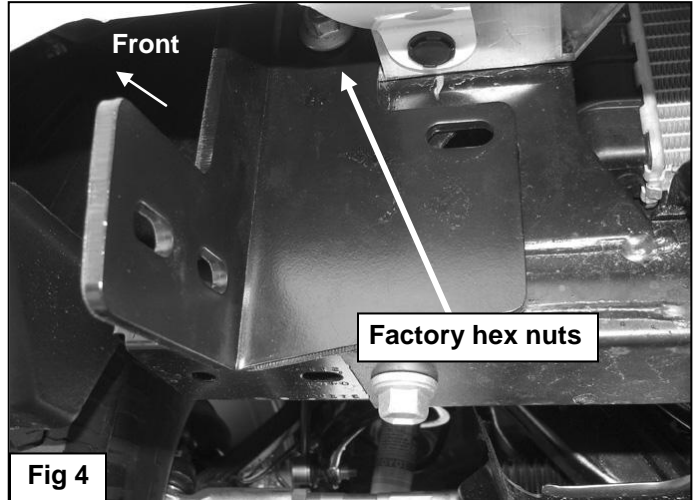


Fig 4

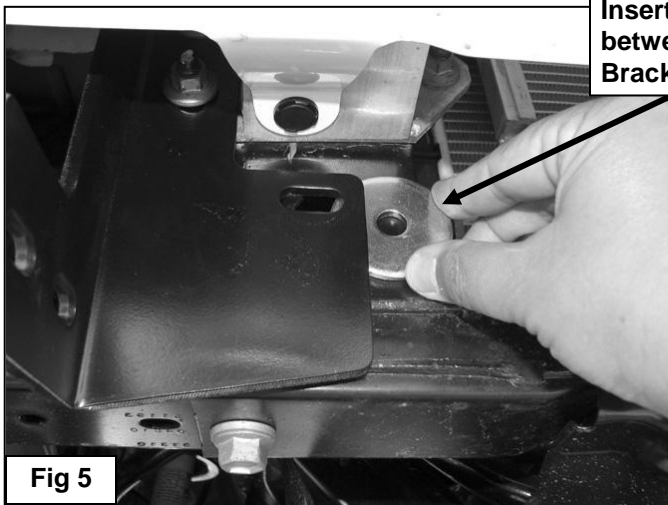


Fig 5

Insert Spacer Washer  
between the Mounting  
Bracket and the frame

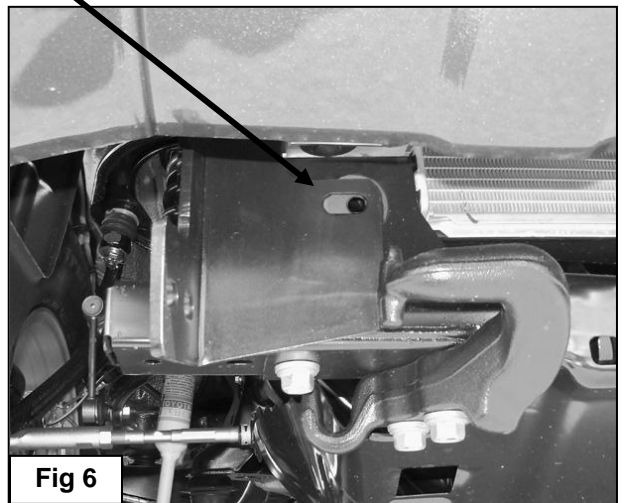
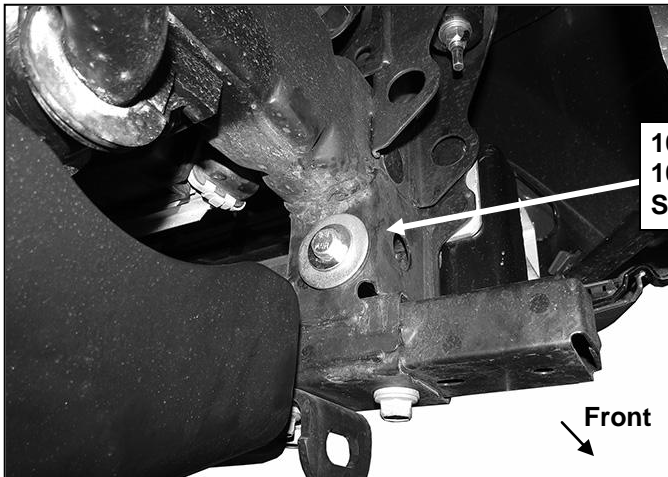


Fig 6

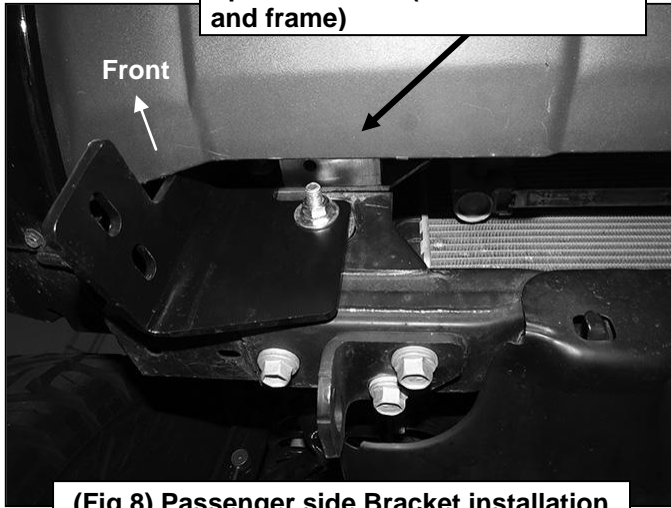


(Fig 7) Passenger side pictured from behind bumper

10mm x 120mm Hex Bolt  
10mm x 34mm Large Flat Washer  
Spacer Washer

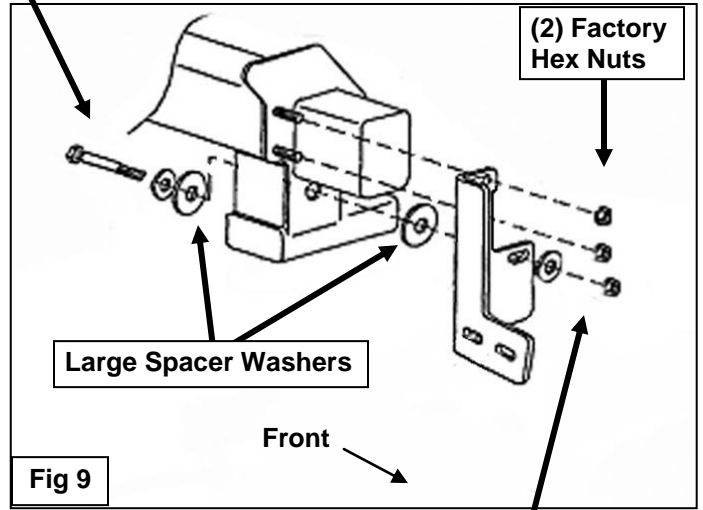
### Passenger Side Installation Pictured

10mm x 34mm Large Flat Washer  
10mm Hex Nut & Lock Washer  
Spacer Washer (between Bracket and frame)

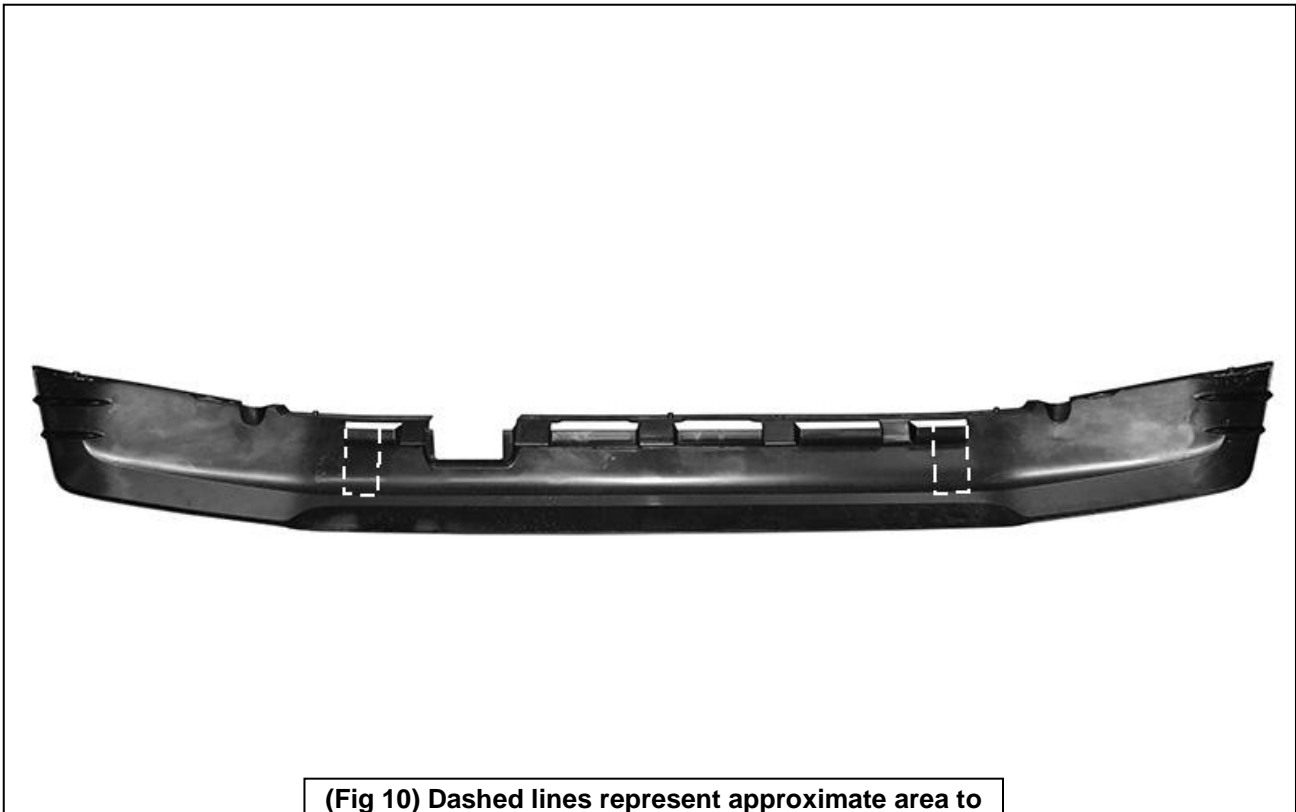


(Fig 8) Passenger side Bracket installation

10mm x 120mm Hex Bolt  
10mm x 34mm Large Flat Washer

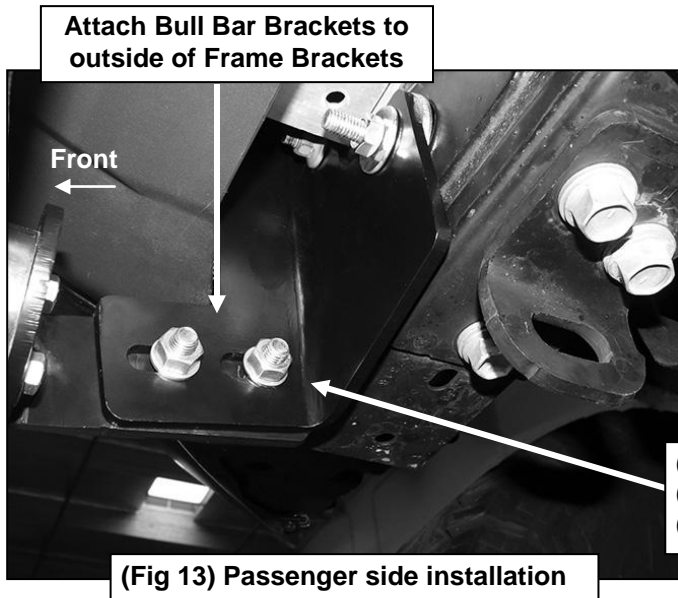
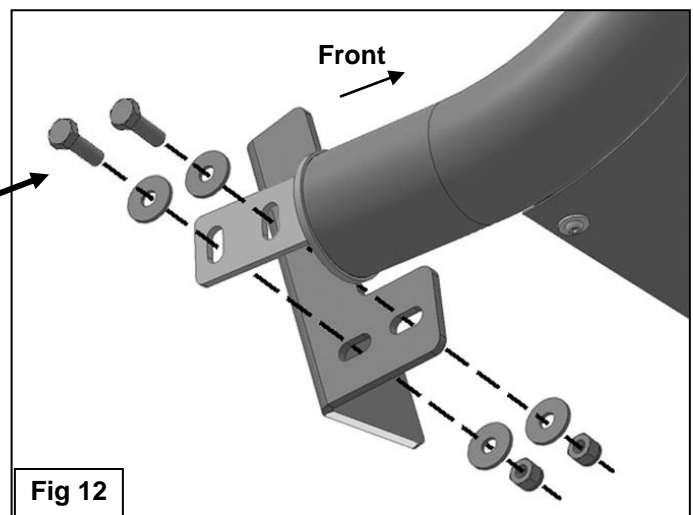
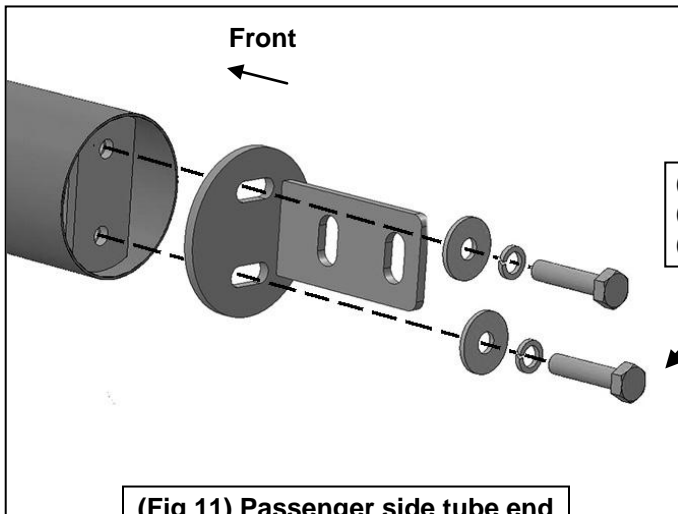


10mm x 34mm Large Flat Washer  
10mm Hex Nut & Lock Washer



(Fig 10) Dashed lines represent approximate area to cut from air dam and are illustrated for example only

**Passenger side installation pictured**



By purchasing any item sold by Rough Country, LLC, the buyer expressly warrants that he/she is in compliance with all applicable, State, and Local laws and regulations regarding the purchase, ownership, and use of the item. It shall be the buyer's responsibility to comply with all Federal, State and Local laws governing the sales of any items listed, illustrated or sold. The buyer expressly agrees to indemnify and hold harmless Rough Country, LLC for all claims resulting directly or indirectly from the purchase, ownership, or use of the items.